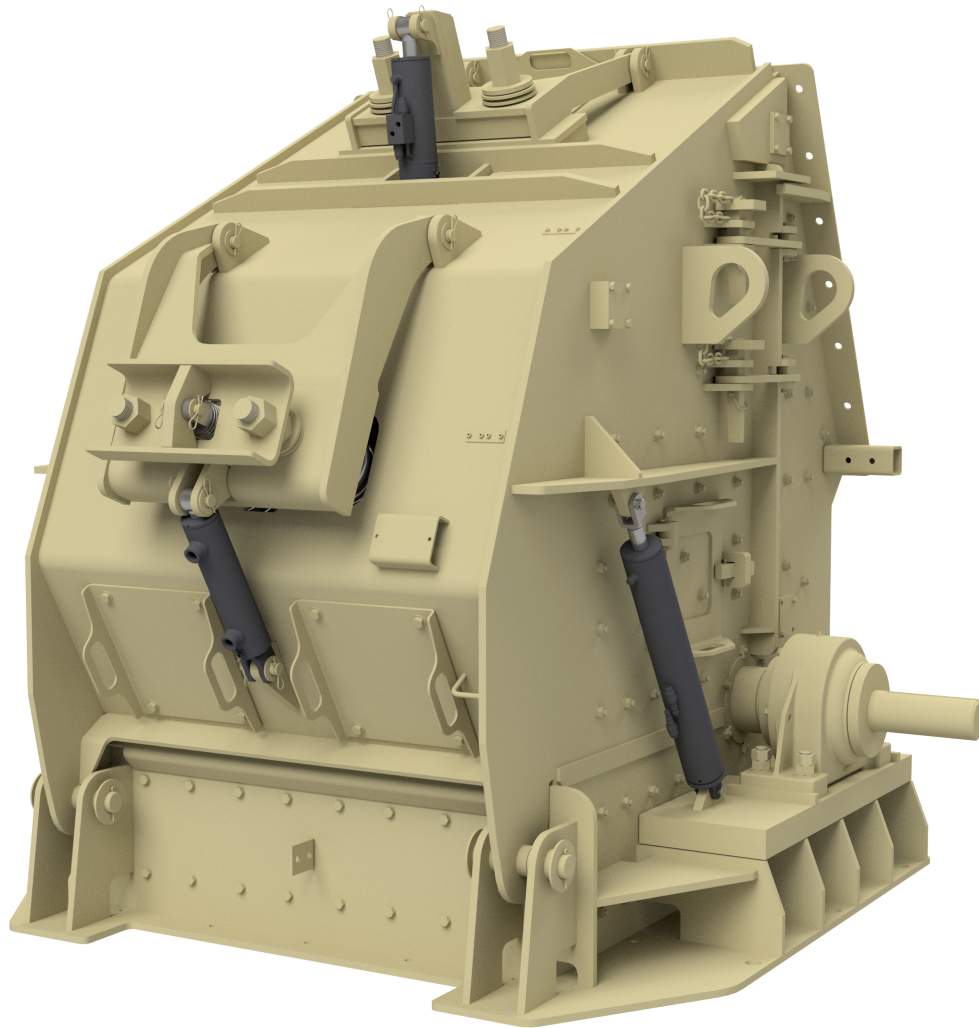


4250

Andreas Horizontal Shaft Impact Crusher



Rotor Assembly

- SAE4150 solid steel shaft
- Grease lubricated spherical roller self-aligning bearings
- 3-bar or 4-bar MPR segmented rotor design
- 8V rotor sheave

Blow Bars

- Multiple metallurgies to fit specific applications
- Reversible

Primary And Secondary Aprons

- Fully lined fabricated apron with abrasion resistant steel liners
- Hydraulic adjustment for easy crusher setting

Crusher Housing

- Fabricated plate
- Side inspection doors
- Hydraulically activated rear access door
- 1-1/4" abrasion resistant steel chamber liners

Options

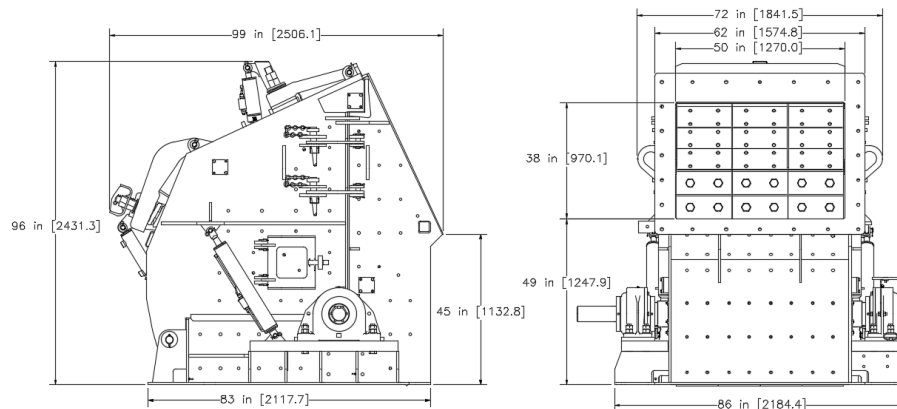
- Electric, diesel, or hydraulic crusher drive
- V-belt drive (standard drive left hand with material flow)
- Hydraulic power pack for crusher lid
- Jib crane for blow bar removal
- Receiving hood
- Safety type v-belt guard

Physical and Operating Characteristics

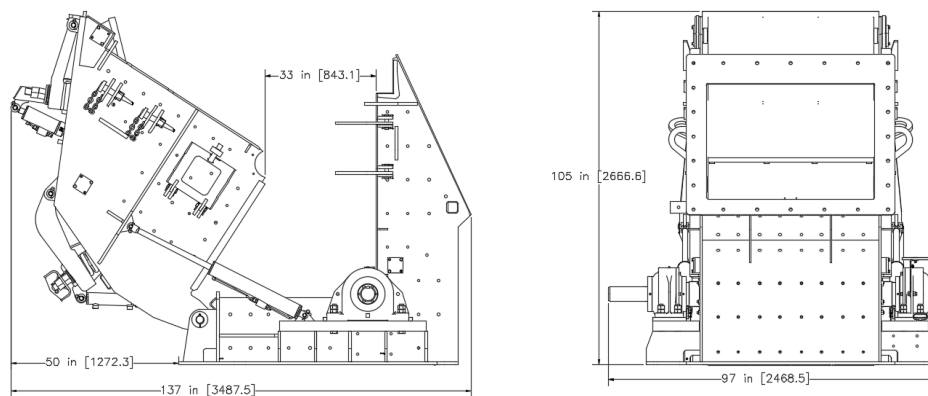
Dimension	Standard	Metric
HSI Feed Opening Width	50"	1,270mm
HSI Feed Opening Height	36"	914mm
Approx. Capacity	300 TPH	272 mt/h
Rotor Width	50"	4,270mm
Rotor Diameter	42"	1,067mm
Blow Bar Weight	521lb each	236kg each
Apron Weight	2,873lb each	1,303kg each
Base Weight	20,713lb	9,395kg
3 Bar Rotor Assembly Weight	7,218lb	3,274kg
4 Bar Rotor Assembly Weight	7,487lb	3,396kg
Total Weight	28,200lb	12,791kg
Recommended Power Diesel	265hp / 197 kW	
Recommended Power Electric	200hp / 150 kW	
Rotor RPM Range	450 - 625	

Dimension	Standard	Metric
Rotor Tip Speed Range	4,950 - 6,875 FPM	1,509 - 2,096 MPM
Primary Apron Setting Range	2" - 6"	51mm - 152mm
Secondary Apron Setting Range	1" - 4"	25mm - 102mm
Operating Length	99"	2,506mm
Operating Width	97"	2,469mm
Operating Height	96"	2,431mm
*Operating envelope based on closed crusher		
Service Length	137"	3,488mm
Service Width	97"	2,469mm
Service Height	105"	2,667mm
*Service envelope based on open crusher		

Operating Envelope



Service Envelope



Kolberg-Pioneer, Inc.
700 West 21st Street,
Yankton, SD 57078
1 (800) 542-9311
mail@kpijci.com
www.kpijci.com

NOTE: CONSULT FACTORY FOR EXACT DIMENSIONS, specifications are subject to change without notice.

Because Kolberg-Pioneer, Inc., Johnson Crushers International, Inc. and Astec Mobile Screens, Inc. may use in their catalog and literature, field photographs of their products which may have been modified by the owners, products furnished by Kolberg-Pioneer, Inc., Johnson Crushers International, Inc. and Astec Mobile Screens, Inc. do not warrant or represent that their products meet any federal, state, or local statutes, codes, ordinances, rules, standards or other regulations, including OSHA and MSHA, covering safety, pollution, electrical wiring, etc. Compliance with these statutes and regulations is the responsibility of the user and will be dependent upon the area and the use to which the product is put by the user. In some photographs, guards may have been removed for illustrative purposes only. This equipment should not be operated without all guards attached in their normal position. Placement of guards and other safety equipment is often dependent upon the area and how the product is used. A safety study should be made by the user of the application, and, if required additional guards, warning signs and other safety devices should be installed by the user, wherever appropriate before operating the products.

Ref # - 335320 KPI4250 2/19