

Telsmith H3244 Hydra-Jaw™

Telsmith H3244 with Hydra-Jaw™ Technology complete with:

- Cast steel swing jaw
- Interchangeable swing and stationary jaw dies
- 813 mm [32 in] gap
- 1118 mm [44 in] width
- Bolt-in abrasion-resistant frame liners
- Spherical roller bearings
- 1365 mm [53.74 in] diameter flywheels
- Hydraulic adjustment and relief toggle cylinder
- Spring tensioned toggle system
- Grease lube

Hydraulic Power Unit Including:

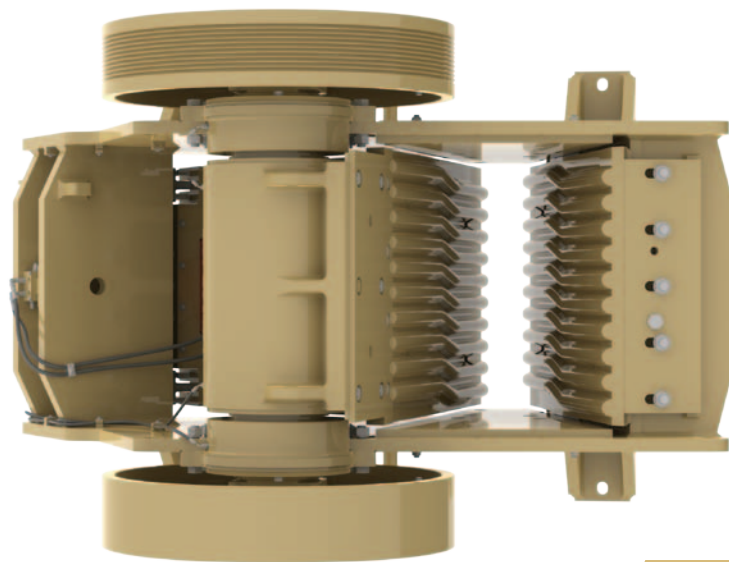
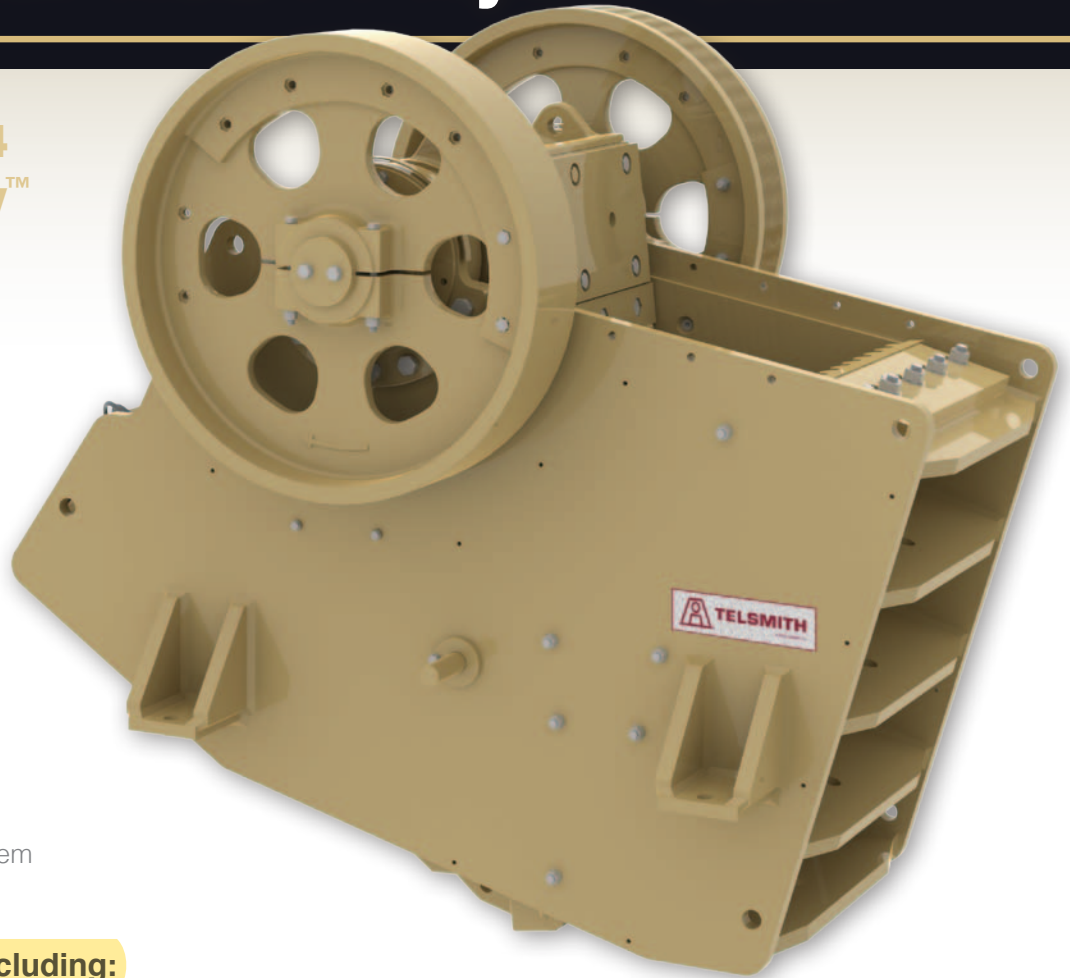
- 5.5 kW [7.5 HP] motor
- 75 L [20 gal]

Automation Package:

- Universal crusher control panel

Optional Equipment:

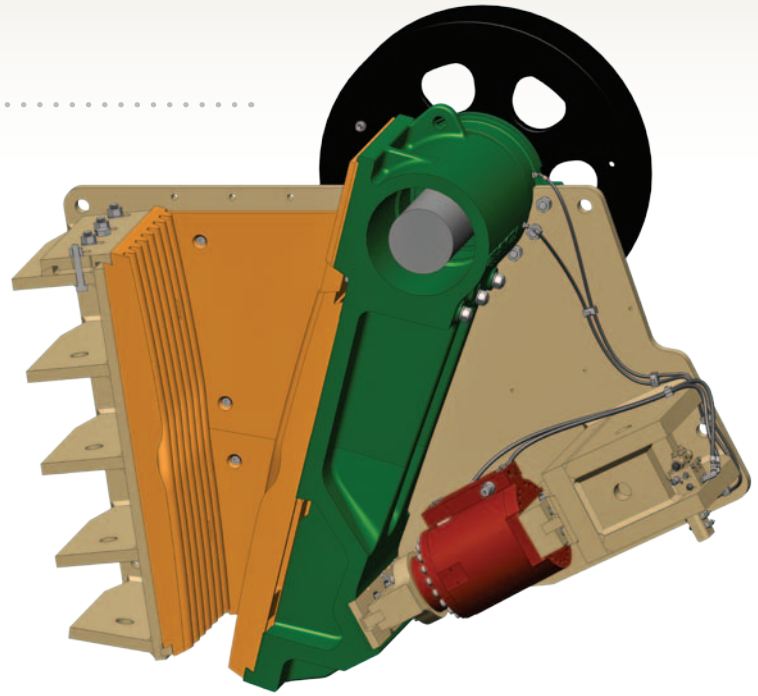
- 110 kW [150 HP] crusher duty electric motor
- Slide rails for crusher drive motor
- V-belt drive
- V-belt drive guard
- Receiving hopper
- Integral drive with flywheel guards
- Oil heater
- Auto grease



H3244 Hydra-Jaw™

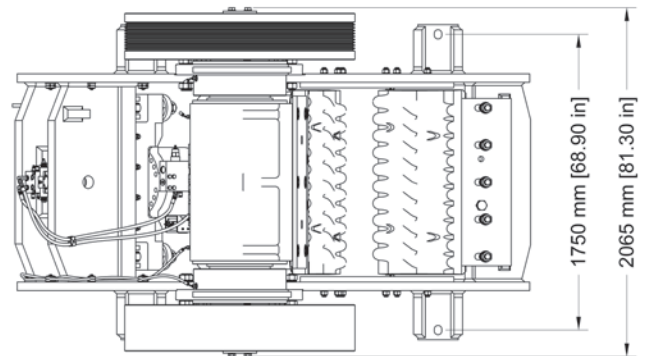
H3244 General Specifications

	Metric	US
Jaw Opening	813 mm x 1118 mm	32 in x 44 in
Recommended Motor	112 kW	150 HP
Recommended Crusher RPM	260 RPM	260 RPM
Lubrication (Standard)	Grease – with lines routed to central distribution point	
Lubrication (Optional)	Automatic grease system	
Miscellaneous Hardware	All bolts and hardware are metric standard	
Hydraulic System (Tank Capacity)	75.7 liters	20 gallons
Hydraulic System (Motor)	5.6 kW	7-1/2 HP



H3244 Weights

Complete Crusher	19,097 kg	42,100 lbs
Main Frame Assembly	8,564 kg	18,880 lbs
Swing Jaw Assembly, excluding Flywheels	7,237 kg	15,954 lbs
Flywheel	964 kg	2,124 lbs
Jaw Die	1,470 kg	3,240 lbs
Toggle Cylinder Assembly	932 kg	2,055 lbs



Crushing Capacities

